

Project Name: _____
 Location: _____
 Engineer: _____
 Submitted to: _____
 Submitted by: _____
 Reference: _____

Approval: _____
 Date: _____
 Construction: _____
 Unit #: _____
 Drawing #: _____

Performance

<i>Indoor Unit Model No:</i>	FXMQ96MFVJU
<i>Cooling Capacity (Btu/hr):</i>	96000
<i>Sensible Capacity (Btu/hr):</i>	0
<i>Cooling Input Power (kW):</i>	0.638
<i>Heating Capacity (Btu/hr):</i>	59000
<i>Heating Input Power (kW):</i>	0.638
<i>Nominal Ext Static Pressure (inH2O):</i>	1.03
<i>Max Ext Static Pressure (inH2O):</i>	1.03

<i>Indoor Unit Type:</i>	Outside air processing unit
<i>Cooling Nominal Conditions</i>	Indoor: 80°F DB/67°F WB
	Outdoor: 95°F DB/75°F WB
<i>Heating Nominal Conditions</i>	Indoor: 70°F DB/60°F WB
	Outdoor: 47°F DB/43°F WB
<i>Nominal Piping Length</i>	25
<i>Nominal Height Separation</i>	0

Indoor Unit Details

<i>Power Supply (V/Hz/Ph):</i>	208-230/60/1ph
<i>Power Supply Connections:</i>	L1, L2, Ground
<i>Min. Circuit Amps MCA (A):</i>	3.8
<i>Max. Fusible Amps MFA (A):</i>	15
<i>Dimensions (HxWxD):</i>	18-1/2x54-3/8x43-5/16
<i>Panel (HxWxD):</i>	N/A
<i>Net Weight (lbs):</i>	271
<i>Weight with Panel (lbs):</i>	

<i>Airflow Rate (CFM wet coil)</i>	1236//
<i>Moisture Removal (pt/h):</i>	
<i>Gas Pipe Connection (inch):</i>	7/8
<i>Liquid Pipe Connection (inch):</i>	3/8
<i>Condensate Connection (inch):</i>	1
<i>Sound Pressure Level (dBA):</i>	47
<i>Sound Power Level (dBA):</i>	

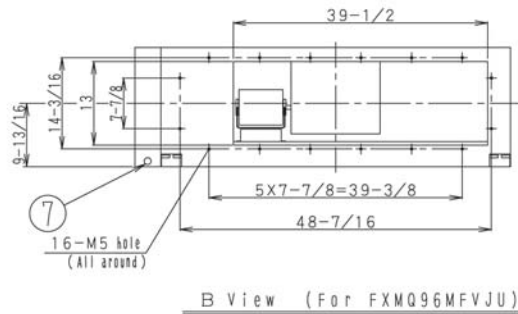
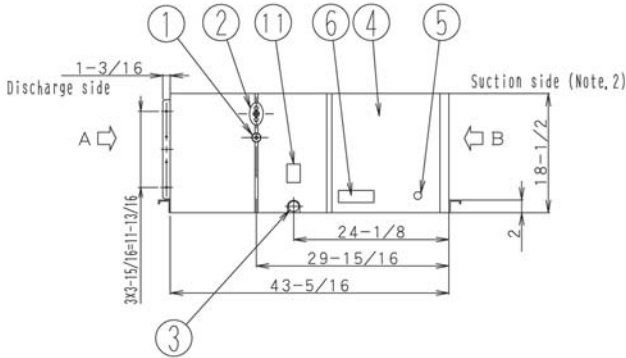
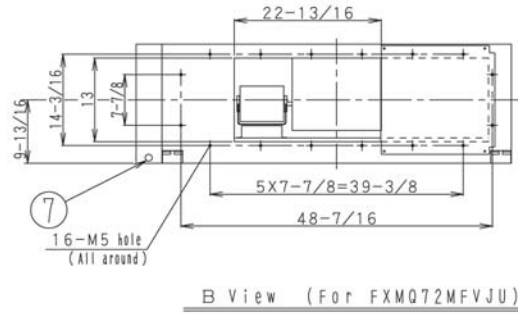
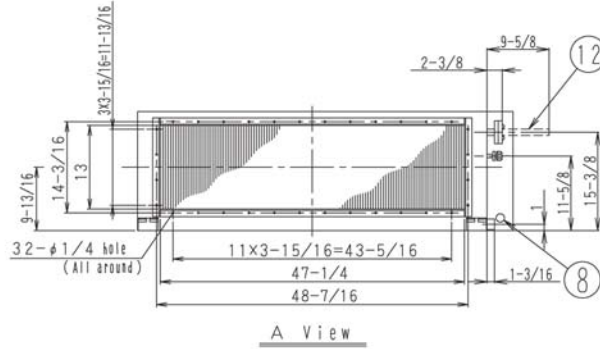
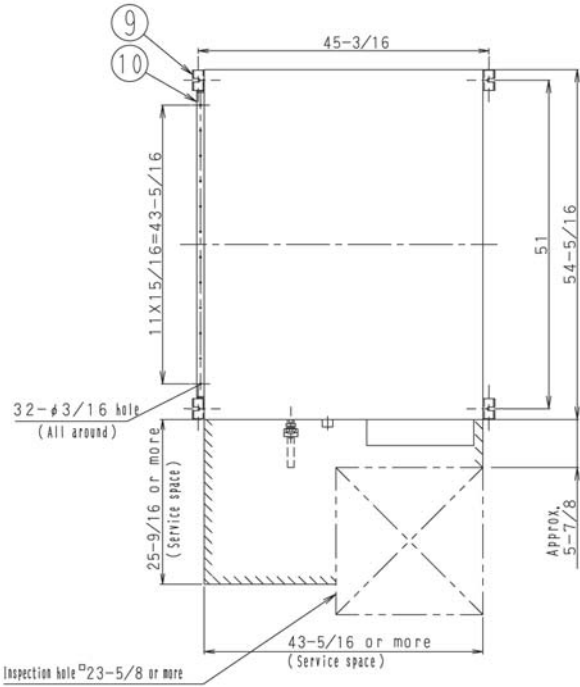
Appearance - Indoor Unit



Project Name: _____
 Location: _____
 Engineer: _____
 Submitted to: _____
 Submitted by: _____
 Reference: _____

Approval: _____
 Date: _____
 Construction: _____
 Unit #: _____
 Drawing #: _____

Dimensional Drawing - Indoor Unit



Project Name: _____
Location: _____
Engineer: _____
Submitted to: _____
Submitted by: _____
Reference: _____

Approval: _____
Date: _____
Construction: _____
Unit #: _____
Drawing #: _____

Notes

Std U.S. Warranty: 6yrs Compressor, 1yrs Parts, 1yr Limited Labor